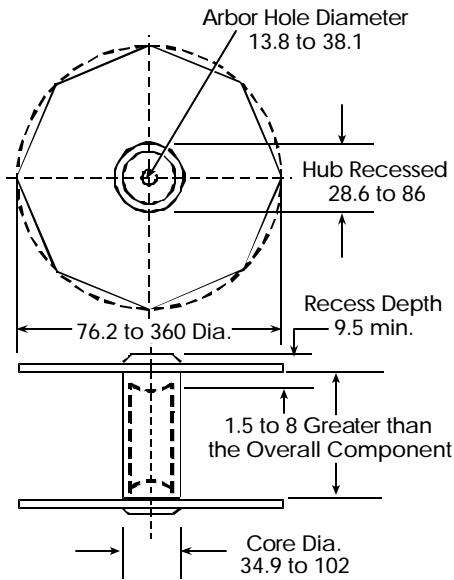


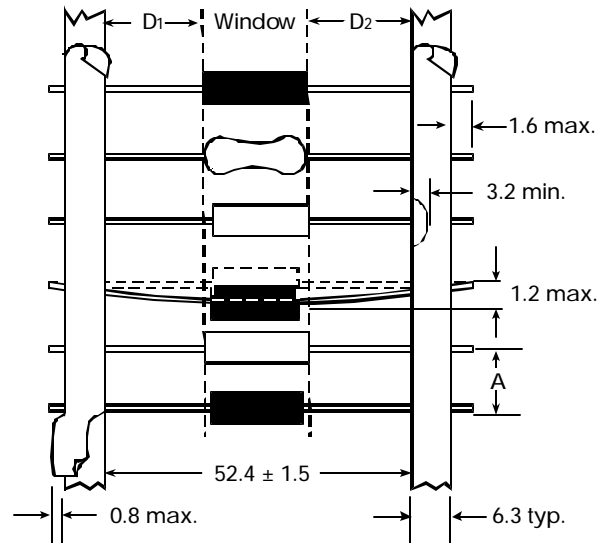
Through-Hole Packaging

REEL PACKAGING

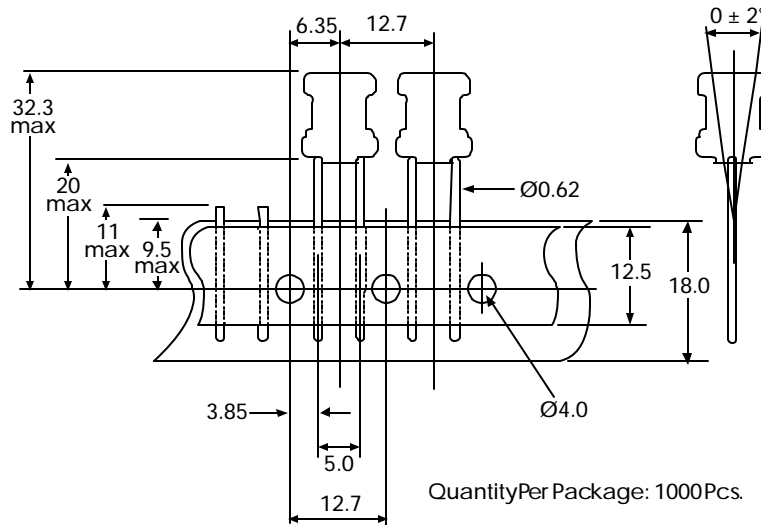


COMPONENT TAPING

$$[D_1 - D_2] = 1.4 \text{ max.}$$



COMPONENT TAPING



REEL PACKAGING

PART NUMBER	COMPONENT PITCH "A"	COMPONENT PITCH "A"
LM1	5 mm	1.5 Kg
LM2	5 mm	2.5 Kg
LM3	5 mm	2.5 Kg
LD1	5 mm	1.5 Kg
LD2	5 mm	1.5 Kg
LD3	5 mm	2.1 Kg
LD4	5 mm	2.5Kg
LS1B	5 mm	1.5 Kg
LS2B	5 mm	1.5 Kg
LS3	5 mm	2.5 Kg