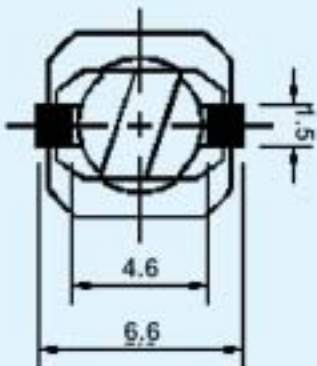
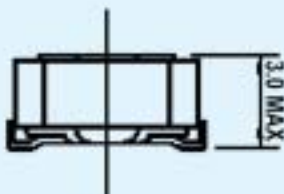
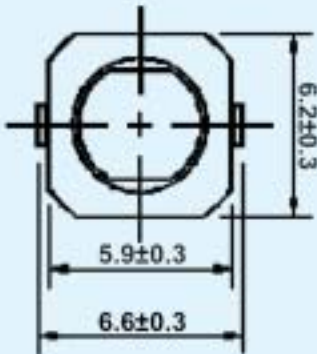


LC62S

SMT Shielded Drum Core Inductors

Height: 3.0 mm max.
 Footprint: 6.2 mm x 6.6 mm
 Current Rating: 0.19 to 1.94 amps
 Operating Temp: -40° C to +85° C



www.inductorsupply.com

Part Number	Inductance (uhy)	Test Freq.	DCR Ohms max.	Rated Current DC amps max.
LC62S-3R3M	3.3	7.96Mhz	0.068	1.94
LC62S-4R7M	4.7	7.96Mhz	0.08	1.63
LC62S-5R6M	5.5	7.96Mhz	0.096	1.40
LC62S-6R8M	6.8	7.96Mhz	0.1	1.33
LC62S-8R2M	8.2	7.96Mhz	0.1	1.14
LC62S-100M	10	2.5Mhz	0.15	1.10
LC62S-120M	12	2.5Mhz	0.2	1.00
LC62S-150M	15	2.5Mhz	0.23	0.90
LC62S-180M	18	2.5Mhz	0.27	0.80
LC62S-220M	22	2.5Mhz	0.34	0.74
LC62S-270M	27	2.5Mhz	0.38	0.66
LC62S-330M	33	2.5Mhz	0.45	0.59
LC62S-390M	39	2.5Mhz	0.49	0.54
LC62S-470M	47	2.5Mhz	0.69	0.50
LC62S-560M	56	2.5Mhz	0.78	0.46
LC62S-680M	68	2.5Mhz	1.07	0.42
LC62S-820M	82	2.5Mhz	1.27	0.38
LC62S-101M	100	1.0Khz	1.39	0.34
LC62S-121M	120	1.0Khz	1.9	0.31
LC62S-151M	150	1.0Khz	2.18	0.80
LC62S-181M	180	1.0Khz	2.77	0.26
LC62S-221M	220	1.0Khz	3.12	0.23
LC62S-271M	270	1.0Khz	4.38	0.22
LC62S-331M	330	1.0Khz	4.94	0.19

About ISI

For over a quarter of a century, Inductor Supply Inc. has been a prime source of magnetic components for the electronics community. Today, we are one of the world's leading manufacturers and resources for inductors, chips, coils, chokes and transformers. We have built our reputation by creating quality products at a reasonable cost, and delivering them quickly and efficiently.

1990 West Corporate Way
 Anaheim, California 92801

1-800-854-1881
 1-714-999-9555
 Fax: 1-714-999-9556

 **ISI**
 INDUCTOR SUPPLY, INC