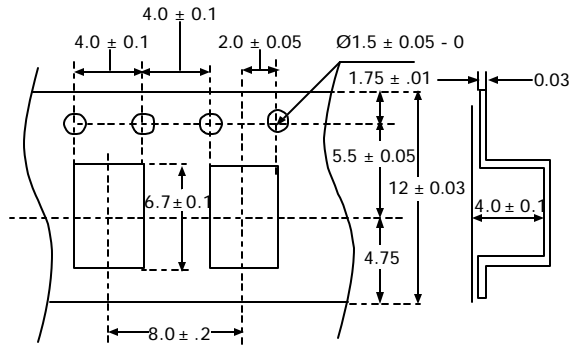


# General Characteristics

## 7.2 TAPE AND REEL SPECIFICATIONS "B" FOR LCM1812R

Tape Dimensions (mm)

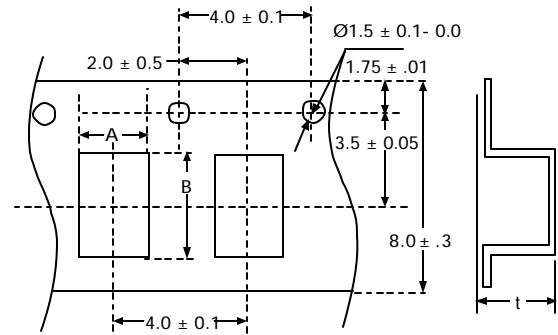
Embossed carrier tape (12mm width, 4mm pitch) as per EIA-481-A.



## 7.3 TAPE AND REEL SPECIFICATIONS "C" FOR CHIP BEAD LCB SERIES

Tape Dimensions (mm)

Embossed carrier tape (12mm width, 4mm pitch) as per EIA-481-A.



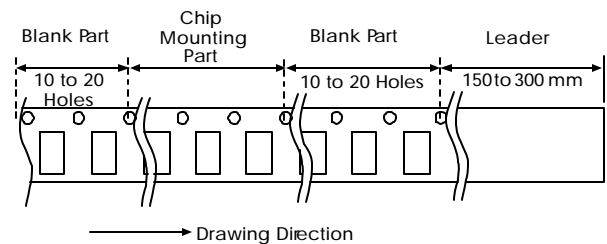
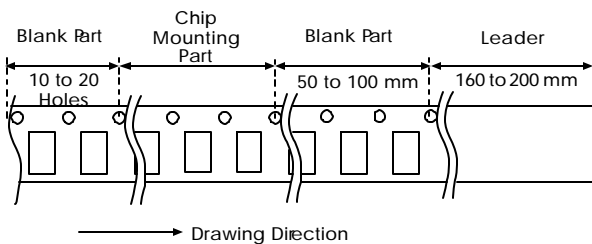
Type	LCB0603	LCB0805	1206	1210	1806	1812
A	1.45	1.45	1.90	2.08	1.90	3.00
B	2.30	2.30	3.50	3.00	4.80	4.90
tmax	1.15	1.15	3.50	3.00	4.80	4.90

Dimensions in mm

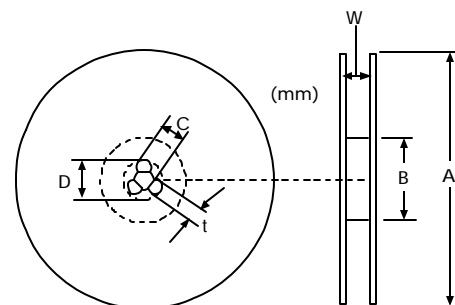
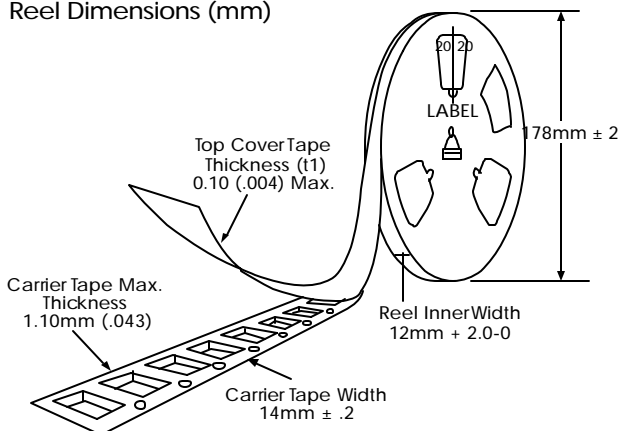
Tape Material: Carrier Tape: Polystyrene  
Cover Tape: Polyethylene

Tape Material: Carrier Tape: Polystyrene  
Cover Tape: Polyethylene

Reel Dimensions (mm)



Reel Dimensions (mm)



Type LCB0603, 0805, 1206, 1210, 1806, 1812

A	178 ± 2	178 ± 2
B	50 ± 1	69 ± 1
C	13.0 ± 5	21.0 ± 0.8
D	21.0 ± 0.8	21.0 ± 0.8
W	12.4 ± 1.6	8.4 ± 1.0
t	2.0 ± 5	2.0 ± .05

Quantity Per Reel: 500 Pieces  
Reel Material: Plastic or Paper

Reel Material: Plastic or Paper